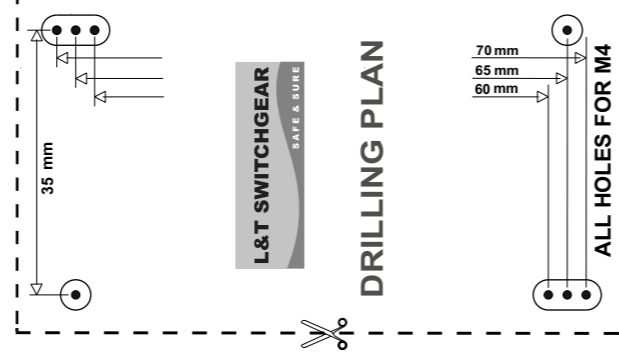


MNX 9-40



WARNING

Hazardous voltage
 Hazard of electrical shock and burning
 Disconnect power and isolate before proceeding with any work on this equipment. Installation, commissioning and maintenance by qualified personnel only and use according to operating instructions, professional practices, wiring rules, codes, safety regulations applicable to the given installation.

RECOMMENDED TIGHTENING TORQUE

CONTACTOR TYPE	MAIN POLE TERMINALS		TERMINALS OF AUXILIARY POLE/ COIL/ ADD-ON BLOCK	
	TERMINAL SCREWS	TORQUE Nm	TERMINAL SCREWS	TORQUE Nm
MNX 9 MNX 12 MNX 18 MNX 22	M3.5	1.1	M3.5	1.1
MNX 25 MNX 32 MNX 40	M4	1.3	M3.5	1.1

ACCESSORIES AND SPARES

AUXILIARY CONTACT BLOCKS	MNX - A1		MNX - A2		MNX-A12S-2	
	Configuration	Part No.	Configuration	Part No.	Configuration	Part No.
	4 NO	CS94112	4 NC	CS94116	1NO + 1NC	LHS CS94220
	3 NO + 1 NC	CS94113	2 NO	CS94117	1NO + 1NC	RHS CS94221
	2 NO + 2 NC	CS94114	1NO + 1NC	CS94118		
	1 NO + 3 NC	CS94115	2 NC	CS94119		
	1 NO	CS94120	1 NO	CS94121		
	1 NC	CS94121				

SPARE COIL	Configuration	Part No.
	MNX 9, 12, 18, 22, 25, 32, 40	CS94105

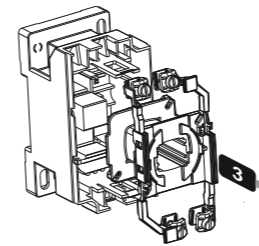
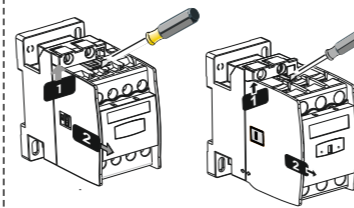
SPARE KIT	Configuration	Part No.
	MNX 9	CS94123
	MNX 12	CS94124
	MNX 18	CS94125
	MNX 22	CS94269
	MNX 25	CS94127
	MNX 32	CS94128
	MNX 40	CS94147

MECHANICAL INTERLOCK	Configuration	Part No.
	MNX 9, 12, 18, 22, 25, 32, 40	CS94126

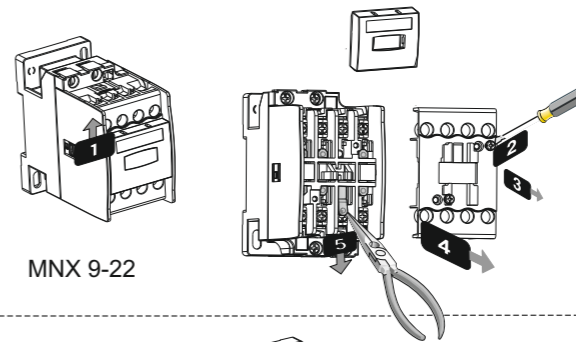
SURGE SUPPRESSOR	Configuration	Part No.
	MNX-S1	24 - 48 V CS94166J000
		110 - 240 V CS94166B000
		360 - 415 V CS94166D000

COIL REPLACEMENT

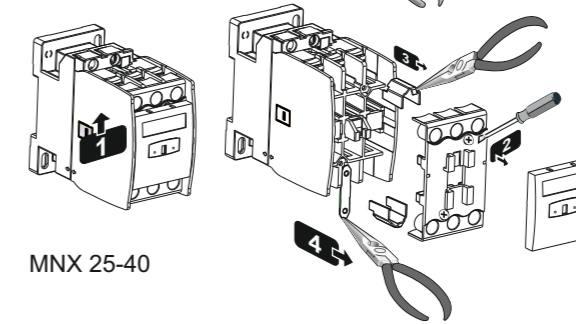
MNX 9-22 MNX 25-40



CONTACT INSPECTION AND REPLACEMENT



MNX 9-22



MNX 25-40

CUSTOMER INTERACTION CELL (CIC)
 BSNL / MTNL (Toll-Free) : 1800 233 5858
 RELIANCE (Toll-Free) : 1800 200 5858
 Telephone : 022 6774 5858
 email : cic@LNTEBG.com
 website : www.LNTEBG.com



L&T Electrical & Automation, Electrical Standard Products
 L&T Business Park, TC-2, Tower B, 3rd Floor,
 Gate No. 5, Saki Vihar Road, Powai
 Mumbai - 400 072, INDIA www.Lntebg.com